

VIKE Aviary

VOLITO™ Vike Aviary System for Layers



Let's grow together™

- Aviary system that provides outstanding results
- Excellent overview and easy inspection
- Integrated Volito Valego Nests



Volito Valego Integrated Nests

Overview

- Multiple configurations and system widths available for optimal poultry house layout
- Low height ensures fit in existing houses with lower ceilings and allows a complete overview
- Optimal movement of hens through the poultry house
- Compliant with KAT and EU regulations

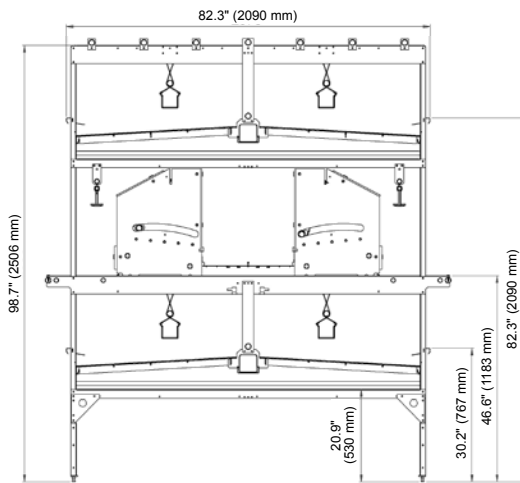
- Rack-Drive (RDE) or Moveable-Floor (MFE) Expulsion systems
- Quick and easy assembly with smart Click & Fix system
- Walls and roofs from durable film-faced plywood
- Self-cleaning AstroTurf® nest pads
- Egg belt options: 1 x 19.7-inches (500-mm) or 2 x 9.8-inches (250-mm)

AstroTurf® is not owned or licensed by CTB, Inc. and is the sole property of its owner.

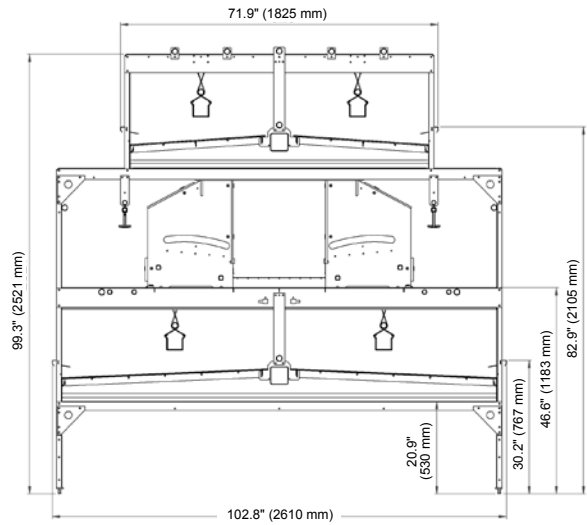
VIKE Aviary

Configurations

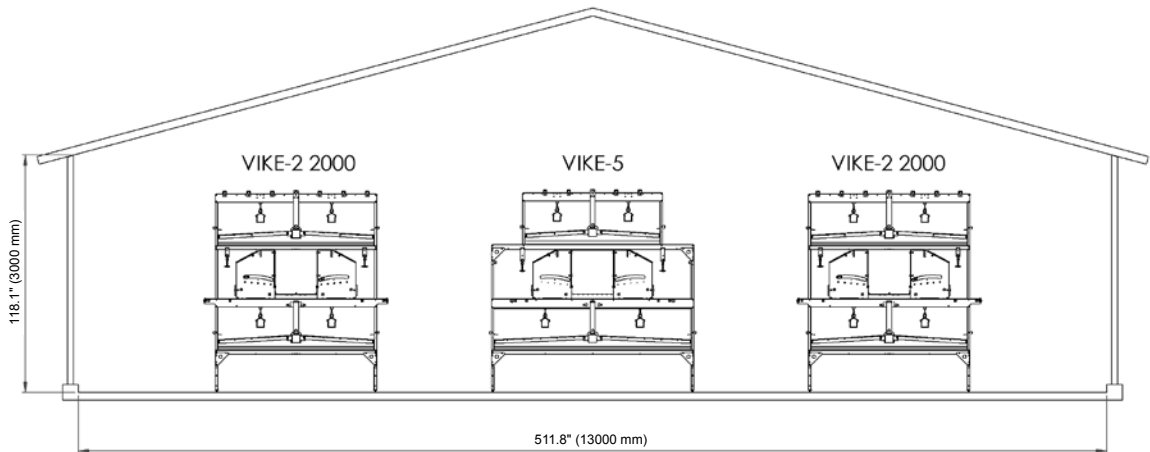
- VIKE-2
 - 2 manure belt tiers and 1 nest tier
 - Width: 71.9, 82.3, 102.8 inches (1825, 2090, 2610 mm)
- VIKE-5
 - 2 manure belt tiers and 1 nest tier
 - Upper tier 71.9 inches (1825 mm) and lower tier 102.8 inches (2610 mm) in step configuration



VIKE-2



VIKE-5 Step



Combine different VIKE configurations for optimal poultry house layout



A DIVISION OF CTB, INC.
A BERKSHIRE HATHAWAY COMPANY

Let's grow together™

Volito B.V. (www.volito.com) is a subsidiary of Chore-Time Europe B.V.

USA

Netherlands

Poland

+1 574-658-4101

+31 (0)77-3241070

+48 (0)61-8197060

choretime@choretime.com

info@choretime.nl

info@choretime.pl

Visit our website to find your independent authorized Chore-Time distributor.

www.choretime.com

Complete Production Equipment for Broilers, Breeders, Turkeys and Eggs